



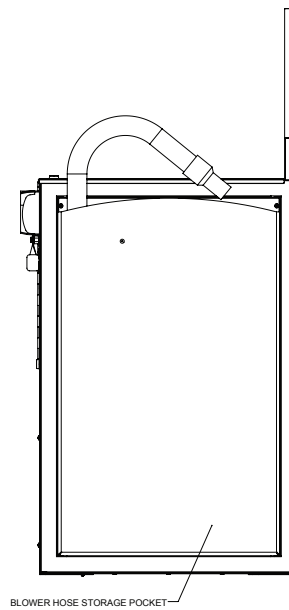
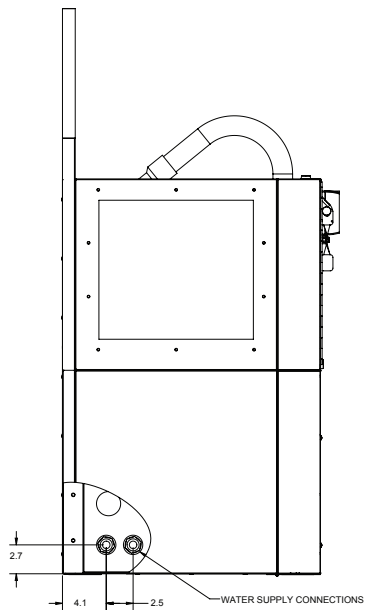
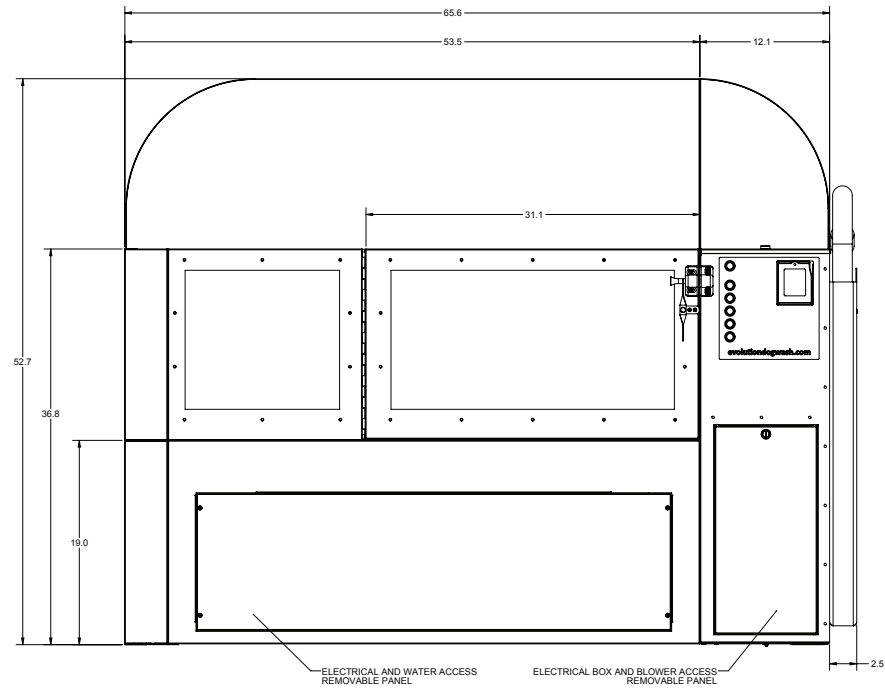
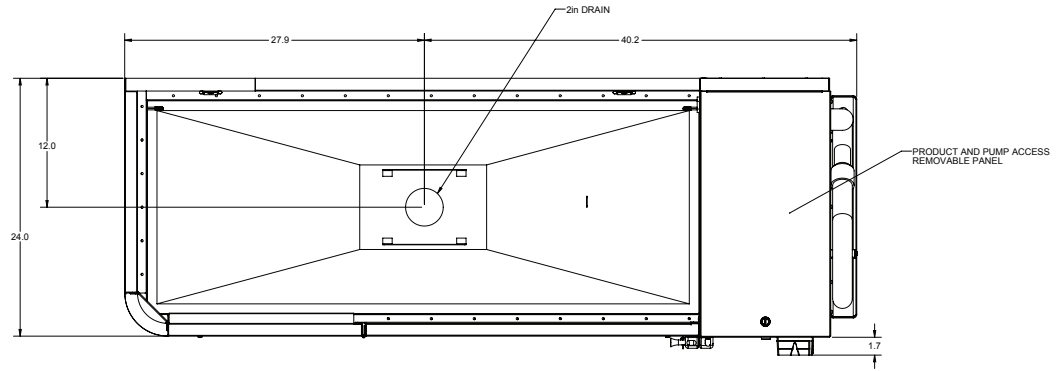
The Evolution Dog Wash mini is designed with the dog's safety and well-being in mind. Built on a smaller frame, without reducing the dog wash area; as opposed to other smaller sized dog washes where they significantly reduce the dog wash area, which can cause stress and anxiety for a dog. Additionally, the mini has a lower cabinet height so the dog can see while in the wash to help them feel comfortable and relaxed.

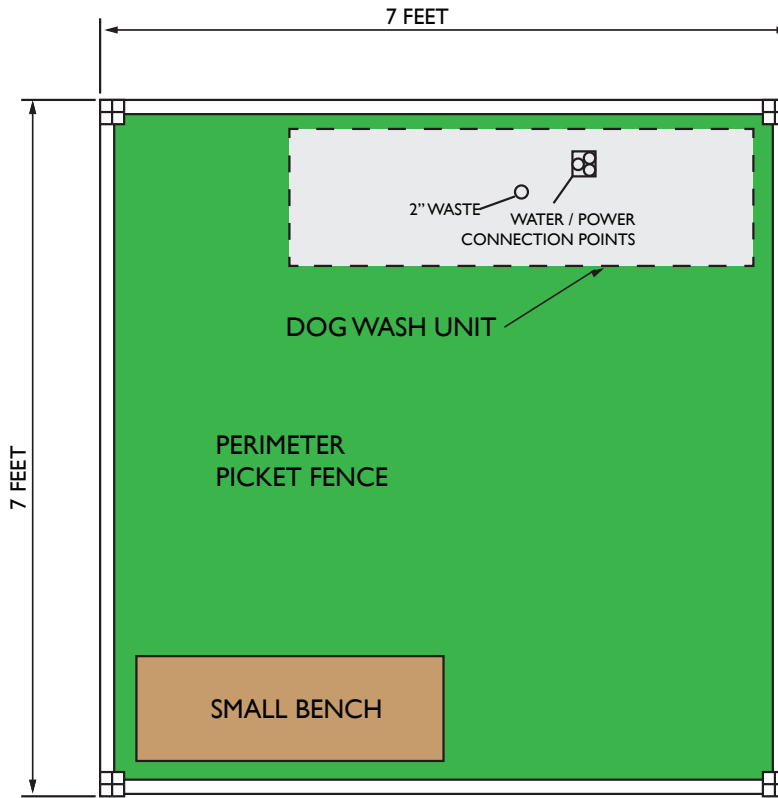
Every Evolution Dog Wash comes with a 10-year warranty on the frame and a three-year warranty on parts. Warranty is considered voidable if nonapproved soaps and products are used in the dog wash. Only use soaps and products supplied from Evolution Dog Wash to maintain the factory warranty. Order online at evolutiondogwash.com.

SPECIFICATIONS:

- Overall Dimensions: 5.5' Wide by 4.5' High by 2' Deep
- Requirements:
 - Electrical: Dedicated 120VAC 20 Amps
 - Water Supply: Hot and Cold Standard ½" Male Connection
 - Drain: Standard Waste Drain 1.5" Male Connection
- Recommended Minimum Operational Floor Space: 7' x 7'
 - A Much Smaller Floor Space Than Competitors' Full-sized Dog Washes.

evolution
dog wash **mini**
plan view





SUGGESTED
DOG WASH
AREA

